

1/2" ROUND HEAD RATCHET | E032801

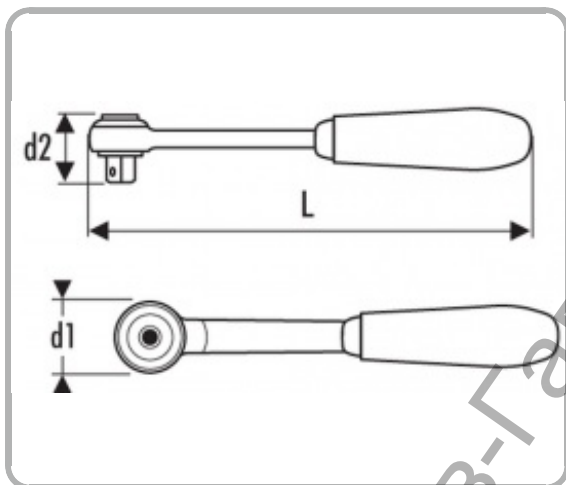


Description

- ISO 3315 - DIN 3122 - ISO 1174-1
- 72 tooth mechanism.
- 5° increment.
- Compact head.
- High Chrome finish.
- Ergonomic bimaterial handle.

Information

EAN	3258950328010
d1 [mm]	42.4
d2 [mm]	42
L [mm]	250
Conditioning	1
[g]	490



Ташев-Галвинг ООД
www.tashev-galving.com